

## Koła łańcuchowe bez piasty

### 链轮 PLATEWHEEL

1"1/4 x 3/4"

### 20B-1-2-3, 20A-1-2-3

#### 链轮 PLATEWHEEL 1"1/4 x 3/4"

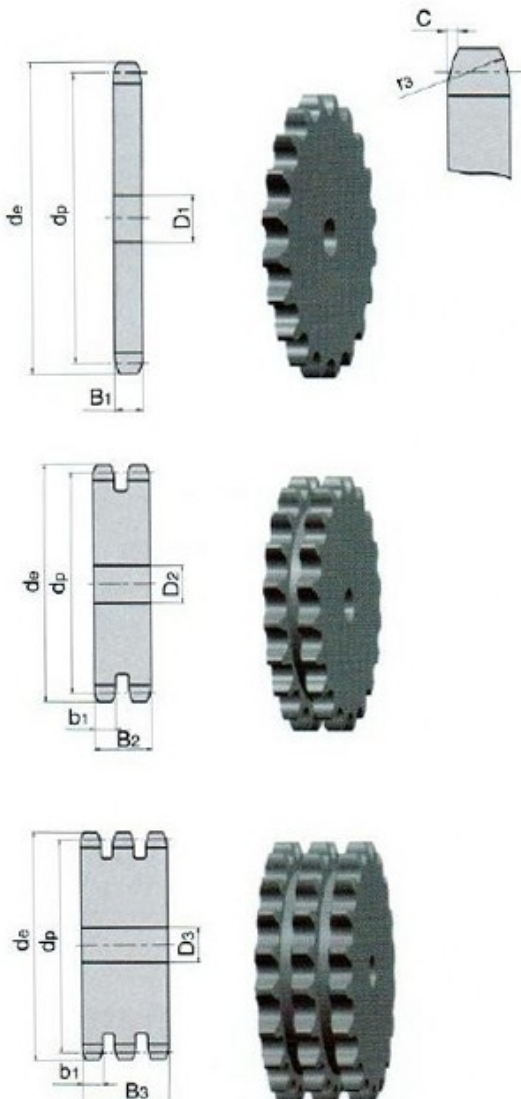
配对链条标准为DIN8187 ISO/R 606  
For Chain Acc.to DIN8187 ISO/R 606

#### 链轮 PLATEWHEEL mm

齿侧倒角半径 Tooth Radius r <sub>3</sub>	32.0
齿侧倒角宽 Radius Width C	3.5
齿宽 Tooth Width B <sub>1</sub>	18.5
齿宽 Tooth Width b <sub>1</sub>	18.2
齿宽 Tooth Width B <sub>2</sub>	54.6
齿宽 Tooth Width B <sub>3</sub>	91.0

#### 链条 CHAIN mm

节距 Pitch	31.75
内节内宽 Internal Width	19.56
滚子直径 Roller Diameter	19.05



Z	de	dp	S	D	T
			D <sub>1</sub>	D <sub>2</sub>	D <sub>3</sub>
8	98.1	82.96	16	20	20
9	108.0	92.84	16	20	20
10	117.9	102.74	16	20	20
11	127.8	112.68	16	20	20
12	137.8	122.68	20	20	20
13	147.8	132.65	20	20	20
14	157.8	142.68	20	20	20
15	167.9	152.72	20	20	20
16	177.9	162.75	20	25	25
17	187.9	172.78	20	25	25
18	198.0	182.85	20	25	25
19	208.1	192.91	20	25	25
20	218.1	202.98	20	25	25
21	228.2	213.04	25	25	25
22	238.3	223.11	25	25	25
23	248.3	233.17	25	25	25
24	258.4	243.23	25	25	25
25	268.5	253.33	25	25	25
26	278.6	263.40	25	25	25
27	288.6	273.49	25	25	25
28	298.7	283.56	25	25	25
29	308.8	293.65	25	25	25
30	318.9	303.75	25	25	25
31	329.0	313.85	25	25	30
32	339.1	323.91	25	25	30
33	349.2	334.01	25	25	30
34	359.3	344.10	25	25	30
35	369.4	354.20	25	25	30
36	379.5	364.30	25	30	30
37	389.5	374.39	25	30	30
38	399.6	384.49	25	30	30
39	409.7	394.59	25	30	30
40	419.8	404.69	25	30	30
41	429.9	414.77	30	30	30
42	440.0	424.86	30	30	40
43	450.1	434.96	30	30	40
44	460.2	445.06	30	30	40
45	470.3	455.17	30	30	40
46	480.4	465.25	30	30	40
47	490.5	475.35	30	30	40
48	500.6	485.45	30	30	40
49	510.7	495.55	30	30	40
50	520.8	505.65	30	30	40
51	530.9	515.75	30	30	40
52	541.0	525.85	30	30	40
53	551.1	535.95	30	30	40
54	561.2	546.05	30	30	40
55	571.3	556.15	30	30	40
56	581.4	566.25	30	30	40
57	591.5	576.35	30	30	40
58	601.6	586.45	30	30	40
59	611.7	596.56	30	30	40
60	621.8	606.66	30	30	40
62	642.0	626.86	30	30	40
64	662.2	647.07	30	30	40
65	672.3	657.17	30	30	40
66	682.4	667.27	30	30	40
68	702.6	687.48	30	30	40
70	722.8	707.68	30	30	40
72	743.1	727.89	30	30	40
75	773.3	758.20	30	30	40
76	783.5	768.32	30	30	40
80	823.9	808.71	30	30	40
85	874.4	859.23	30	30	40
90	924.9	909.76	30	30	40
95	975.2	960.28	30	30	40
100	1026.0	1010.80	30	30	40
114	1167.4	1152.26	30	40	40